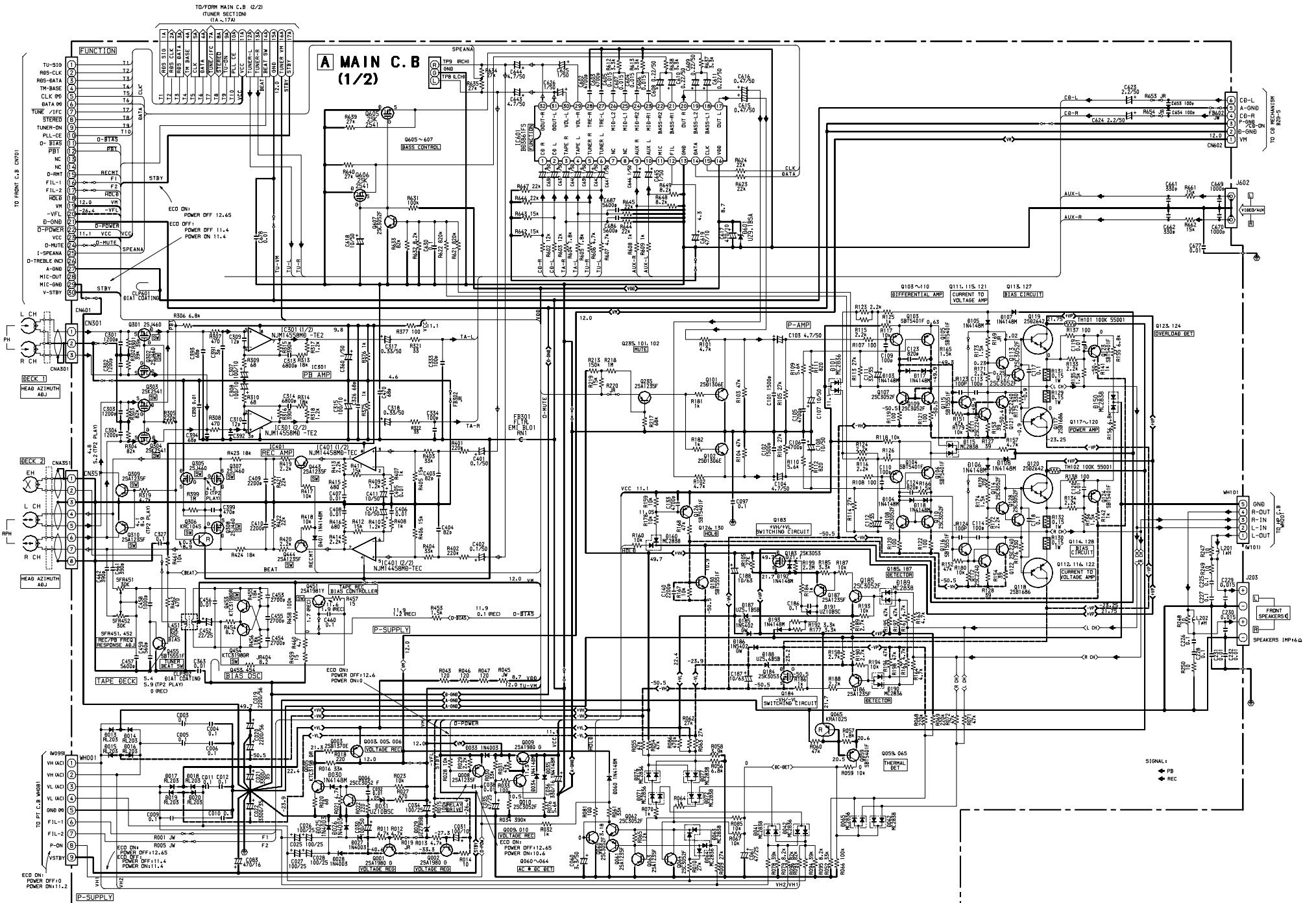
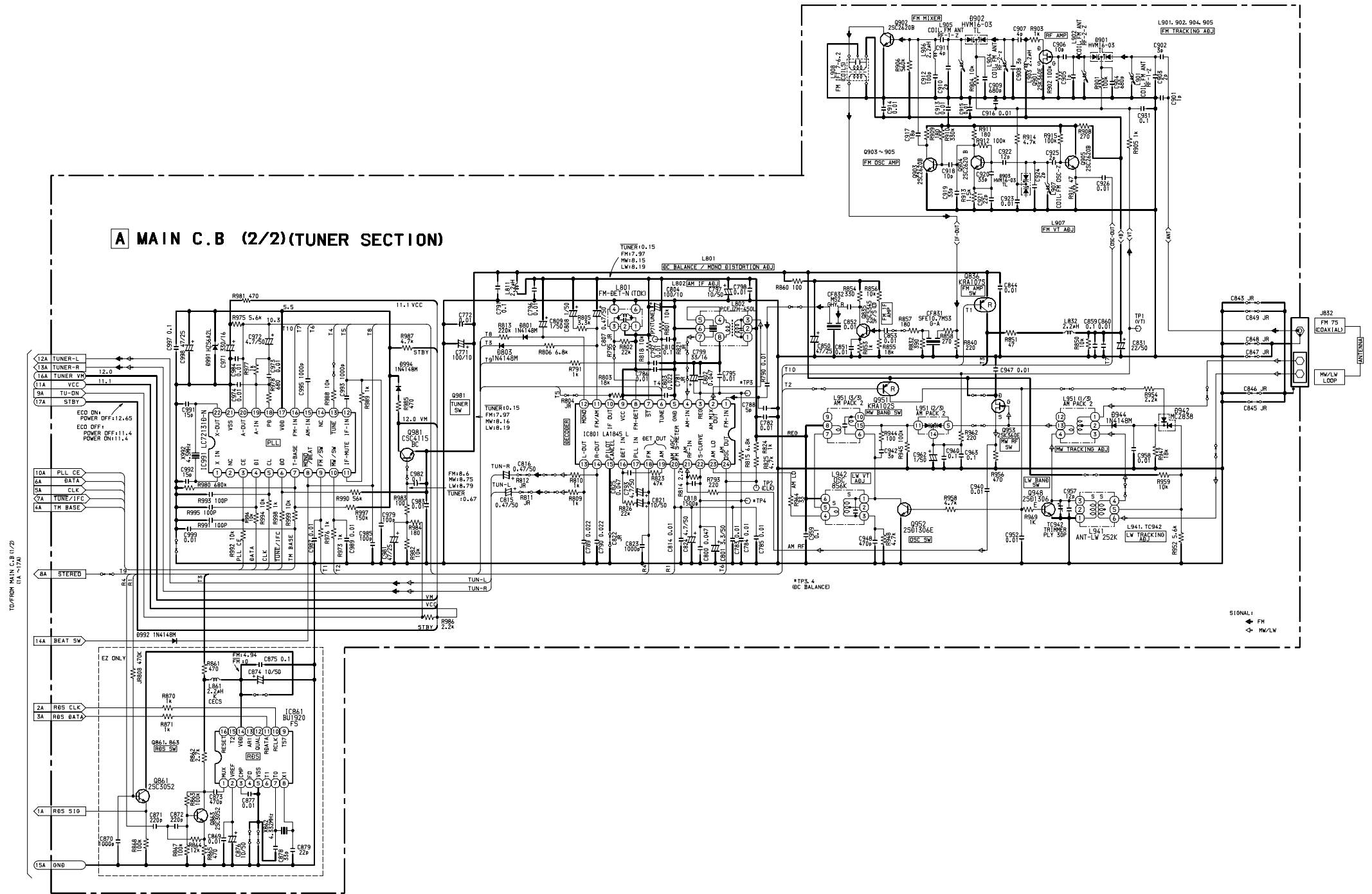


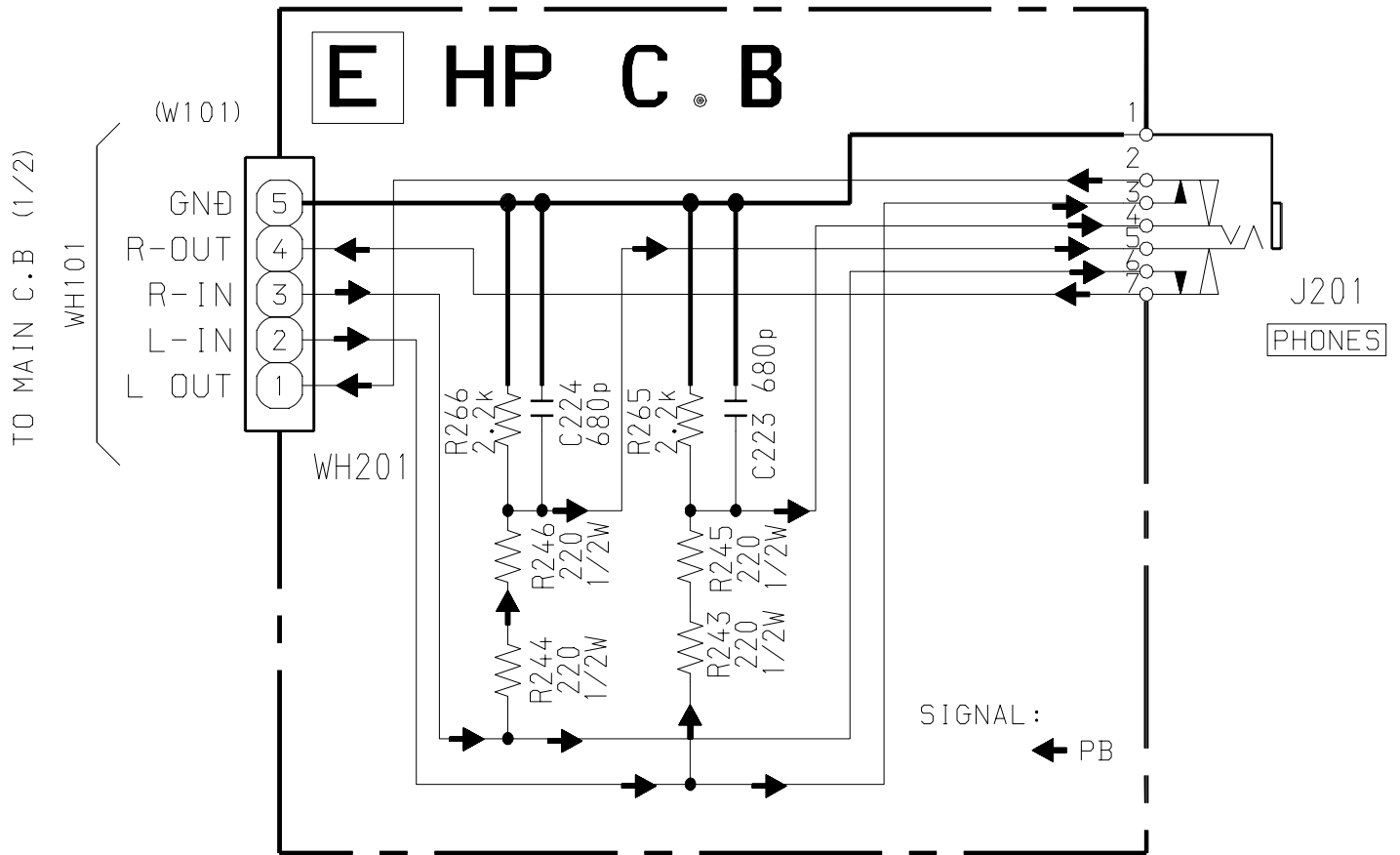
SCHEMATIC DIAGRAM - 1 (MAIN 1/2)

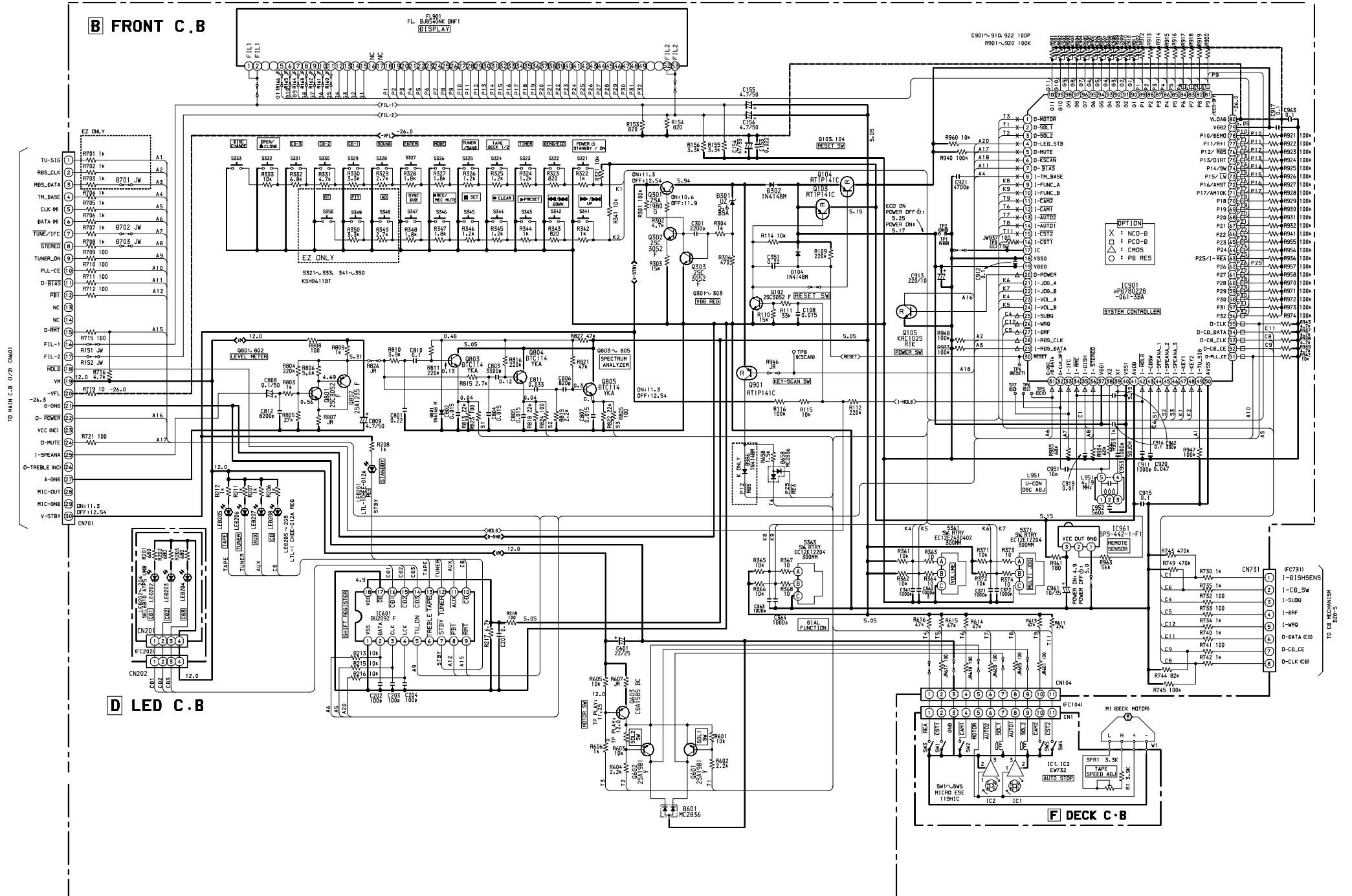


SCHEMATIC DIAGRAM - 2 (MAIN 2/2 : TUNER)



SCHEMATIC DIAGRAM - 3 (HP)





SCHEMATIC DIAGRAM-5 (PT)

